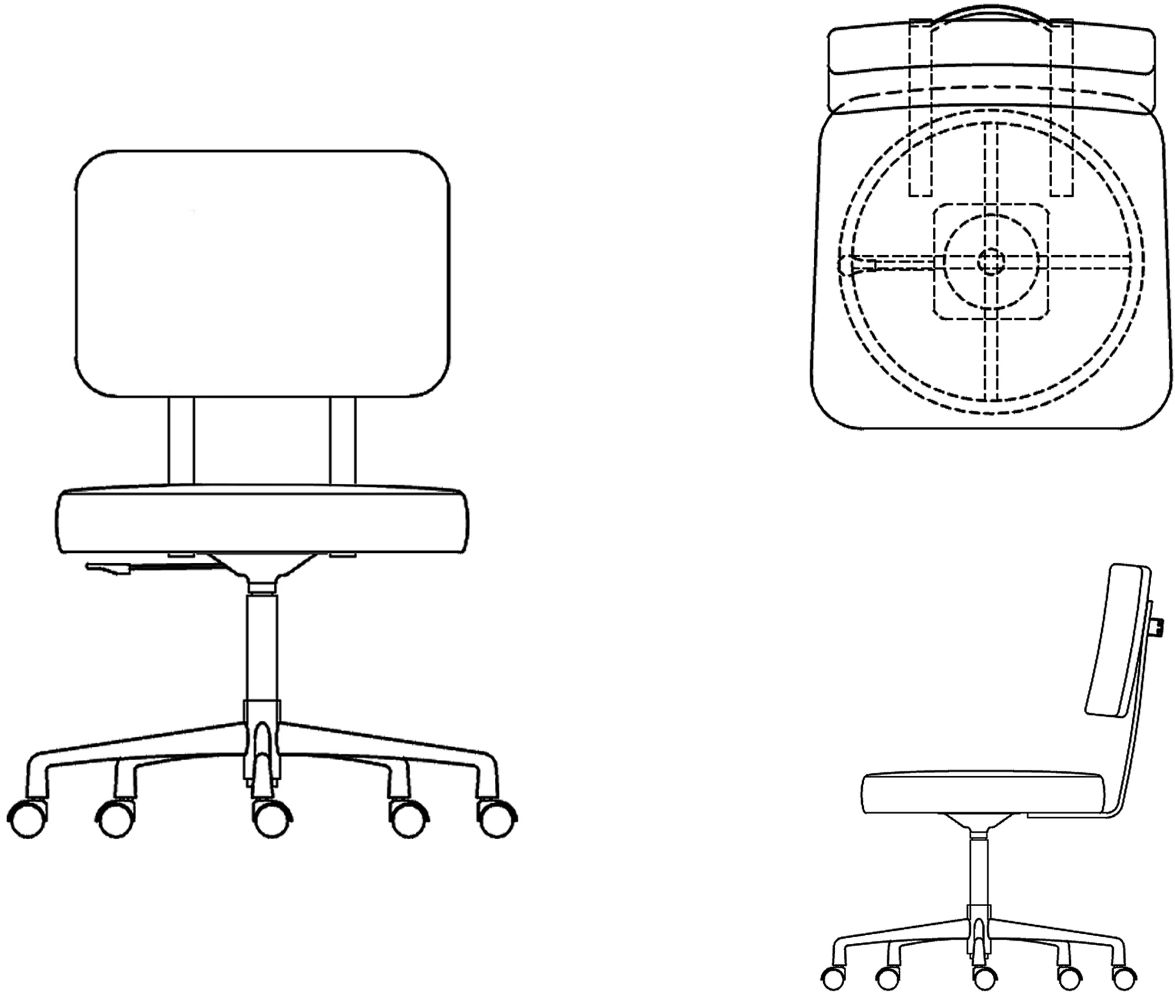


# CHARTER

FURNITURE

## GUEST ROOM



## GR-104

### ADDITIONAL INFORMATION

CHARTER ID  
800-387A

Upholstered tight seat and back cushion.  
Featuring a flat bar back frame with integrated  
handle at outside back.  
Featuring a 5 prong metal base with black nylon  
casters.

### DIMENSIONS

Width	21"
Depth	25"
Height	35-38"

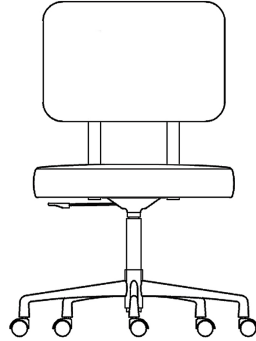
Seat Depth	19"
Seat Height	18-21"

# CHARTER

FURNITURE

---

## GUEST ROOM



---

**DAYBREAK**  
(A) GR-104  
800-387A



FIL DOUX  
DYNA  
COLOR: PALM



METAL FINISH  
MF-01192-HWS  
TIGER DRYLAC  
COLOR: SILVER GLOSS

---

**DUSK**  
(B) GR-104  
800-387A



FABRIC INNOVATIONS  
BOWIE  
COLOR: FASHION



METAL FINISH  
MF-01190-HWS  
TIGER DRYLAC  
COLOR: LOW LIGHTS BRONZE